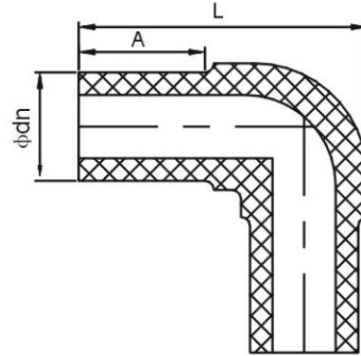


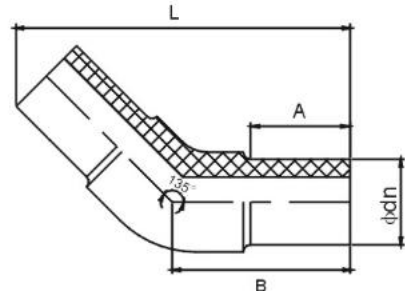
END CAP

SIZE	dn	A	L	SDR17	SDR11
D63	63	70	84	√	√
D75	75	74	87		√
D90	90	84	93	√	√
D110	110	82	98	√	√
D125	125	87	107	√	√
D160	160	102	128	√	√
D180	180	112	145	√	√
D200	200	112	142	√	√
D225	225	119	146	√	√
D250	250	128	173	√	√
D280	280	140	166	√	√
D315	315	150	192	√	√
D355	355	152	210	√	
D400	400	150	215	√	√
D500	500	195	243	√	
D630	630	182	238	√	



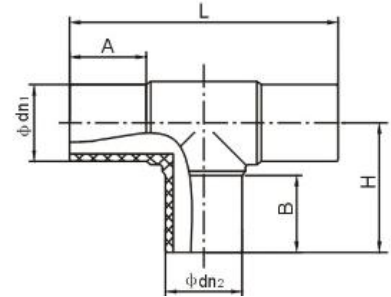
ELBOW 90°

SIZE	dn	A	L	SDR17	SDR11
L63×90°	63	63	132	√	√
L75×90°	75	70	165	√	√
L90×90°	90	79	182	√	√
L110×90°	110	82	210	√	√
L125×90°	125	87	240	√	√
L140×90°	140	89	241	√	√
L160×90°	160	80	258	√	√
L180×90°	180	105	295	√	√
L200×90°	200	96	308	√	√
L225×90°	225	120	367	√	√
L250×90°	250	98	361	√	√
L280×90°	280	139	423	√	√
L315×90°	315	123	455	√	√
L355×90°	355	155	550	√	√
L400×90°	400	160	610	√	√
L450×90°	450	155	650	√	√
L500×90°	500	155	700	√	√
L560×90°	560	165	780	√	√
L630×90°	630	170	850	√	√



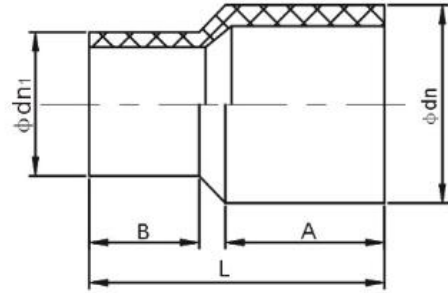
ELBOW 45°

SIZE	dn	A	B	L	SDR17	SDR11
L63×45°	63	63	80	160	√	√
L75×45°	75	70	89	180	√	√
L90×45°	90	79	112	227	√	√
L110×45°	110	82	118	245	√	√
L125×45°	125	87	118	244	√	√
L160×45°	160	98	145	302	√	√
L180×45°	180	105	155	340	√	√
L200×45°	200	112	168	355	√	√
L225×45°	225	120	170	390	√	√
L250×45°	250	130	189	405	√	√
L280×45°	280	140	215	460	√	√
L315×45°	315	150	220	505	√	√
L355×45°	355	145	235	530	√	√
L400×45°	400	160	270	580	√	√
L450×45°	450	155	280	650	√	√
L500×45°	500	180	320	735	√	√
L560×45°	560	160	330	760	√	√
L630×45°	630	160	360	820	√	√



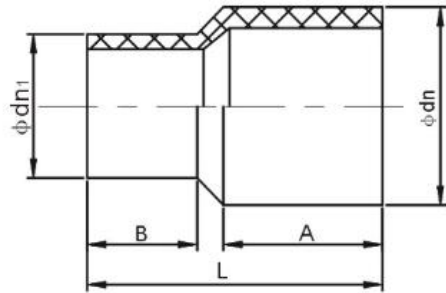
EQUAL TEE

SIZE	dn1/dn2	A	L	B	H	SDR17	SDR11
T63	63	63	203	63	104	√	√
T75	75	70	230	70	118	√	√
T90	90	79	263	77	134	√	√
T110	110	82	295	82	145	√	√
T125	125	87	315	87	163	√	√
T140	140	92	345	92	178	√	√
T160	160	70	325	70	169	√	√
T180	180	105	437	105	225	√	√
T200	200	78	380	87	200	√	√
T225	225	87	423	104	240	√	√
T250	250	120	517	120	275	√	√
T280	280	139	600	139	310	√	√
T315	315	137	619	127	315	√	√
T355	355	120	635	120	350	√	√
T400	400	110	675	120	380	√	√
T450	450	155	800	170	410	√	√
T500	500	150	860	160	505	√	√
T560	560	140	910	160	555	√	√
T630	630	140	1000	160	570	√	√



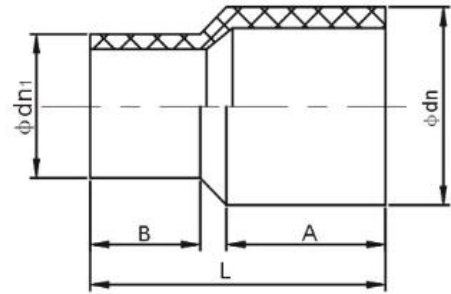
REDUCER

SIZE	dn	dn1	A	B	L	SDR17	SDR11
S63×50	63	50	70	55	158		√
S75×50	75	50	80	60	160		√
S75×63	75	63	80	63	160		√
S90×50	90	50	79	60	174	√	√
S90×63	90	63	79	65	174	√	√
S90×75	90	75	79	70	175	√	√
S110×50	110	50	89	60	180	√	√
S110×63	110	63	89	63	185	√	√
S110×75	110	75	89	70	185	√	√
S110×90	110	90	89	79	188	√	√
S125×63	125	63	87	63	192		√
S125×75	125	75	87	70	186		√
S125×90	125	90	87	80	195	√	√
S125×110	125	110	87	82	195	√	√
S140×90	140	90	92	79	232		√
S140×110	140	110	92	82	232	√	√
S160×63	160	63	98	70	210	√	√
S160×75	160	75	98	70	210	√	√
S160×90	160	90	98	80	212	√	√
S160×110	160	110	98	82	215	√	√
S160×125	160	125	98	87	218	√	√



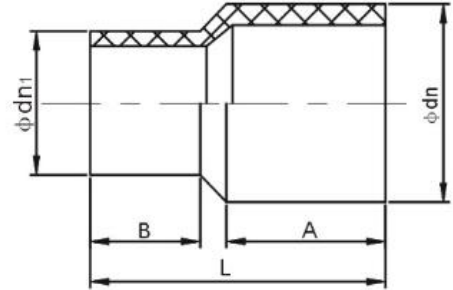
REDUCER

SIZE	dn	dn1	A	B	L	SDR17	SDR11
S180×90	180	90	108	80	240	√	√
S180×110	180	110	108	82	228	√	√
S180×125	180	125	108	87	240	√	√
S180×160	180	160	104	93	240		√
S200×63	200	63	112	63	227		√
S200×90	200	90	112	80	230	√	√
S200×110	200	110	112	82	230	√	√
S200×125	200	125	112	87	230		√
S200×160	200	160	112	98	240	√	√
S200×180	200	180	112	105	242		√
S225×90	225	90	110	79	237		√
S225×110	225	110	110	82	250	√	√
S225×160	225	160	110	98	258	√	√
S225×200	225	200	115	88	255	√	√
S250×90	250	90	110	88	230	√	√
S250×110	250	110	110	88	237	√	√
S250×125	250	125	110	90	230	√	√
S250×160	250	160	110	100	245	√	√
S250×180	250	180	110	105	248	√	√
S250×200	250	200	110	105	250	√	√
S250×225	250	225	110	85	235	√	√



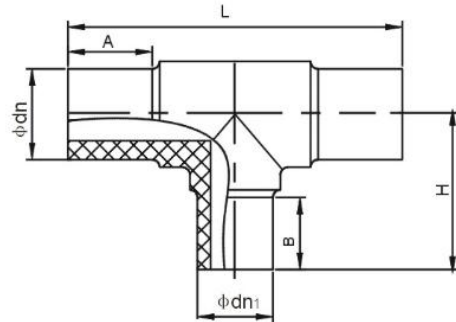
REDUCER

SIZE	dn	dn1	A	B	L	SDR17	SDR11
S280×160	280	160	110	88	256	√	√
S280×180	280	180	110	85	255	√	√
S280×200	280	200	108	85	252	√	√
S280×225	280	225	110	85	250	√	√
S280×250	280	250	110	82	248	√	√
S315×90	315	90	118	90	255	√	√
S315×110	315	110	118	92	255	√	√
S315×160	315	160	118	92	256	√	√
S315×180	315	180	118	94	258	√	√
S315×200	315	200	118	94	255	√	√
S315×225	315	225	117	95	255	√	√
S315×250	315	250	117	95	255	√	√
S315×280	315	280	120	104	255	√	√
S355×200	355	200	110	110	300	√	
S355×250	355	250	110	110	290	√	
S355×280	355	280	115	110	285	√	√
S400×200	400	200	110	110	285	√	√
S400×250	400	250	110	110	285	√	√
S400×315	400	315	110	110	285	√	√
S400×355	400	355	110	110	285	√	√
S450×200	450	200	110	100	255	√	
S450×250	450	250	110	100	255	√	



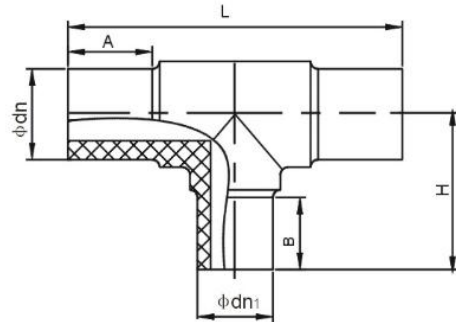
REDUCER

SIZE	dn	dn1	A	B	L	SDR17	SDR11
S450×315	450	315	110	110	265	√	
S450×355	450	355	110	110	265	√	
S450×400	450	400	110	110	270	√	
S500×400	500	400	100	100	250	√	
S500×450	500	450	100	100	250	√	
S560×500	560	500	100	100	250	√	
S630×500	630	500	100	100	250	√	
S710×630	710	630	100	100	250	√	
S800×710	800	710	100	100	250	√	



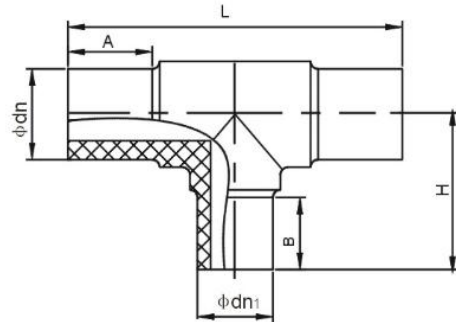
REDUCING TEE

SIZE	dn	dn1	A	B	L	H	SDR17	SDR11
T50×32×50	50	32	55	54	169	86		√
T63×25×63	63	25	63	44	168	92		√
T63×32×63	63	32	63	44	174	93		√
T63×40×63	63	40	63	55	182	102		√
T63×50×63	63	50	63	55	191	102		√
T75×32×75	75	32	72	40	227	95		√
T75×40×75	75	40	72	49	227	106		√
T75×50×75	75	50	72	55	227	108		√
T75×63×75	75	63	72	63	227	118		√
T90×32×90	90	32	79	44	212	101		√
T90×40×90	90	40	79	49	223	115		√
T90×50×90	90	50	79	55	230	110	√	√
T90×63×90	90	63	79	63	244	115	√	√
T90×75×90	90	75	79	70	251	128	√	√
T110×32×110	110	32	82	48	222	115		√
T110×40×110	110	40	82	49	230	128		√
T110×50×110	110	50	82	55	240	135	√	√
T110×63×110	110	63	82	63	245	138	√	√
T110×75×110	110	75	82	70	262	145	√	√



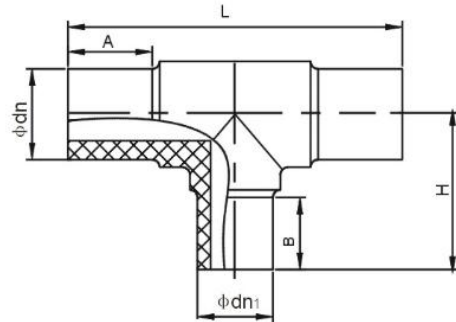
REDUCING TEE

SIZE	dn	dn1	A	B	L	H	SDR17	SDR11
T110×90×110	110	90	82	79	273	152	√	√
T125×63×125	125	63	87	63	318	146		√
T125×75×125	125	75	87	70	318	160	√	√
T125×90×125	125	90	87	79	318	160	√	√
T125×110×125	125	110	87	82	318	165	√	√
T140×110×140	140	110	92	82	315	160	√	√
T140×125×140	140	125	92	87	333	175	√	√
T160×63×160	160	63	98	63	275	163	√	√
T160×75×160	160	75	98	70	288	173	√	√
T160×90×160	160	90	98	79	300	185	√	√
T160×110×160	160	110	98	82	325	195	√	√
T160×125×160	160	125	98	87	335	192	√	√
T160×140×160	160	140	98	92	347	197		√
T180×90×180	180	90	105	79	340	190	√	√
T180×110×180	180	110	105	82	355	190	√	√
T180×125×180	180	125	105	87	365	202	√	√
T180×140×180	180	140	105	92	380	202	√	√
T180×160×180	180	160	105	98	400	202	√	√
T200×63×200	200	63	112	63	307	181	√	√



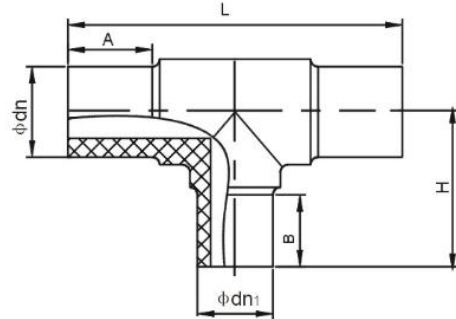
REDUCING TEE

SIZE	dn	dn1	A	B	L	H	SDR17	SDR11
T200×75×200	200	75	112	70	315	182	√	√
T200×90×200	200	90	112	79	334	190	√	√
T200×110×200	200	110	112	82	356	200	√	√
T200×125×200	200	125	112	87	380	204	√	√
T200×160×200	200	160	112	98	420	210	√	√
T225×90×225	225	90	120	79	360	220	√	√
T225×110×225	225	110	120	82	370	215	√	√
T225×160×225	225	160	120	98	422	230	√	√
T225×180×225	225	180	95	85	430	195	√	√
T250×90×250	250	90	130	79	375	230	√	√
T250×110×250	250	110	120	82	378	225	√	√
T250×125×250	250	125	125	87	412	235	√	√
T250×160×250	250	160	95	98	380	235	√	√
T250×180×250	250	180	130	102	464	248		√
T250×200×250	250	200	75	112	380	255	√	√
T280×90×280	280	90	139	79	406	245	√	√
T280×110×280	280	110	139	82	410	250		√
T280×125×280	280	125	139	87	427	255		√
T280×160×280	280	160	139	98	459	270		√



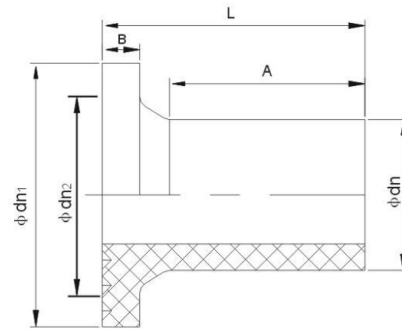
REDUCING TEE

SIZE	dn	dn1	A	B	L	H	SDR17	SDR11
T280×225×280	280	225	147	127	545	285	√	√
T315×90×315	315	90	150	79	425	265	√	√
T315×110×315	315	110	150	82	437	265	√	√
T315×160×315	315	160	132	74	450	250	√	√
T315×180×315	315	180	118	100	450	285		√
T315×200×315	315	200	113	98	450	285	√	√
T315×225×315	315	225	95	100	450	275	√	√
T315×250×315	315	250	93	70	454	268	√	√
T315×280×315	315	280	140	105	583	320	√	√
T355×250×355	355	250	165	110	635	290	√	
T355×315×355	355	315	165	140	725	355	√	
T400×200×400	400	200	130	150	670	380		√
T400×250×400	400	250	130	150	670	380		√
T400×315×400	400	315	130	150	670	380	√	√
T400×355×400	400	355	150	150	670	380	√	√
T450×315×450	450	315	150	150	660	410	√	√
T450×400×450	450	400	160	170	740	410	√	√
T500×125×500	500	125	160	120	500	410	√	√
T500×160×500	500	160	160	135	530	420	√	√
T500×250×500	500	250	160	135	620	420	√	√
T500×315×500	500	315	160	180	685	470	√	√



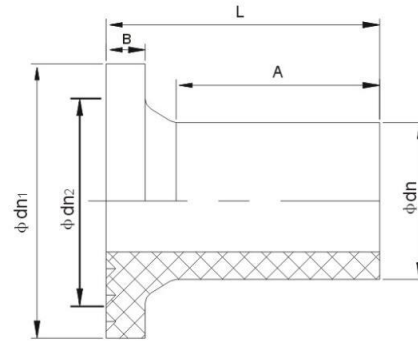
REDUCING TEE

SIZE	dn	dn1	A	B	L	H	SDR17	SDR11
T500×400×500	500	400	147	127	770	470	√	√
T560×160×560	560	160	150	79	715	440	√	√
T560×250×560	560	250	150	82	715	470	√	√
T560×355×560	560	355	132	74	720	555	√	√
T560×400×560	560	400	118	100	760	555	√	√
T630×400×630	630	400	113	98	770	570	√	√
T630×500×630	630	500	95	100	1000	570	√	√



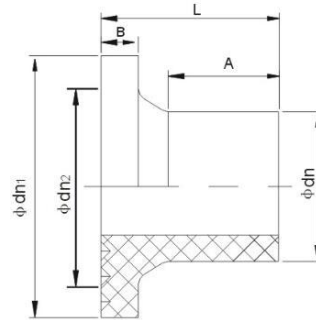
HDPE STUB FLANGE

SIZE	dn	dn1	A	B	L	SDR17	SDR11
F20	20	45	63	7	84		√
F25	25	58	61	8	84		√
F32	32	68	61	10	84		√
F40	40	78	61	12	79		√
F50	50	88	67	12	84		√
F63	63	102	68	13	85	√	√
F75	75	122	75	14	94	√	√
F90	90	138	75	17	98	√	√
F110	110	158	81	19	103	√	√
F125	125	158	102	21	127	√	√
F140	140	188	97	22	127	√	√
F160	160	212	100	26	135	√	√
F180	180	212	100	30	135	√	√
F200	200	268	112	35	155	√	√
F225	225	268	105	30	145	√	√
F250	250	320	118	32	160	√	√
F280	280	320	105	35	150	√	√
F315	315	370	130	35	175	√	√



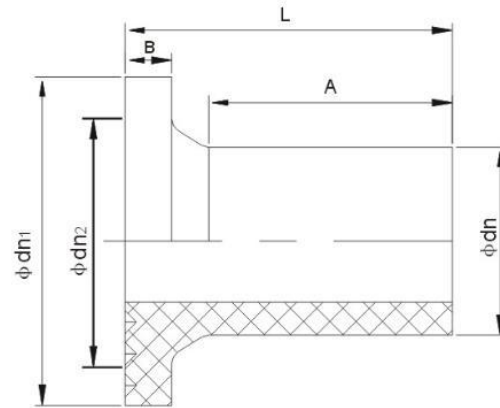
HDPE STUB FLANGE

SIZE	dn	dn1	A	B	L	SDR17	SDR11
F355	355	430	125	35	170	√	√
F400	400	482	135	34	175	√	√
F450/A	450	585	135	43	208	√	√
F450/B	450	546	135	43	208	√	√
F450/C	450	530	135	43	208	√	√
F500	500	585	150	47	210	√	√
F560/A	560	685	160	45	215	√	√
F560/B	560	630	160	45	215	√	√
F560/C	560	630	160	60	215		√
F630/A	630	685	145	52	210	√	
F630/B	630	710	145	60	210	√	
F630/C	630	720	145	52	210	√	
710	710	800	117	57	190	√	
800	800	905	122	54	185	√	
900	900	1005	124	56	190	√	
1000	1000	1110	105	58	189	√	
1200	1200	1330	215	70	335	√	



HDPE STUB FLANGE (Short Neck)

SIZE	dn	dn1	A	B	L	SDR17	SDR11
F63	63	102	16	14	50	√	√
F75	75	122	14	16	50	√	√
F90	90	138	33	17	80	√	√
F110	110	158	27	18	80	√	√
F125	125	158	38	21	80	√	√
F140	140	188	30	22	80	√	√
F160	160	212	26	26	80	√	√
F180	180	212	30	30	80	√	√
F200	200	268	27	35	100	√	√
F225	225	268	40	30	100	√	√
F250	250	320	28	32	100	√	√
F280	280	320	35	35	100	√	√
F315	315	370	25	35	100	√	√



HDPE STUB FLANGE (Long Neck)

SIZE	dn	dn1	A	B	L	SDR17	SDR11
F63	63	102	81	14	115	√	√
F75	75	122	79	16	115		√
F90	90	138	88	17	135	√	√
F110	110	158	82	18	135	√	√
F125	125	158	133	21	175	√	√
F140	140	188	125	22	175		√
F160	160	212	121	26	175	√	√
F180	180	212	125	30	175		√
F200	200	268	102	35	175	√	√
F225	225	268	115	30	175	√	√
F250	250	320	103	32	175	√	√
F280	280	320	110	35	175		√
F315	315	370	150	35	225	√	√